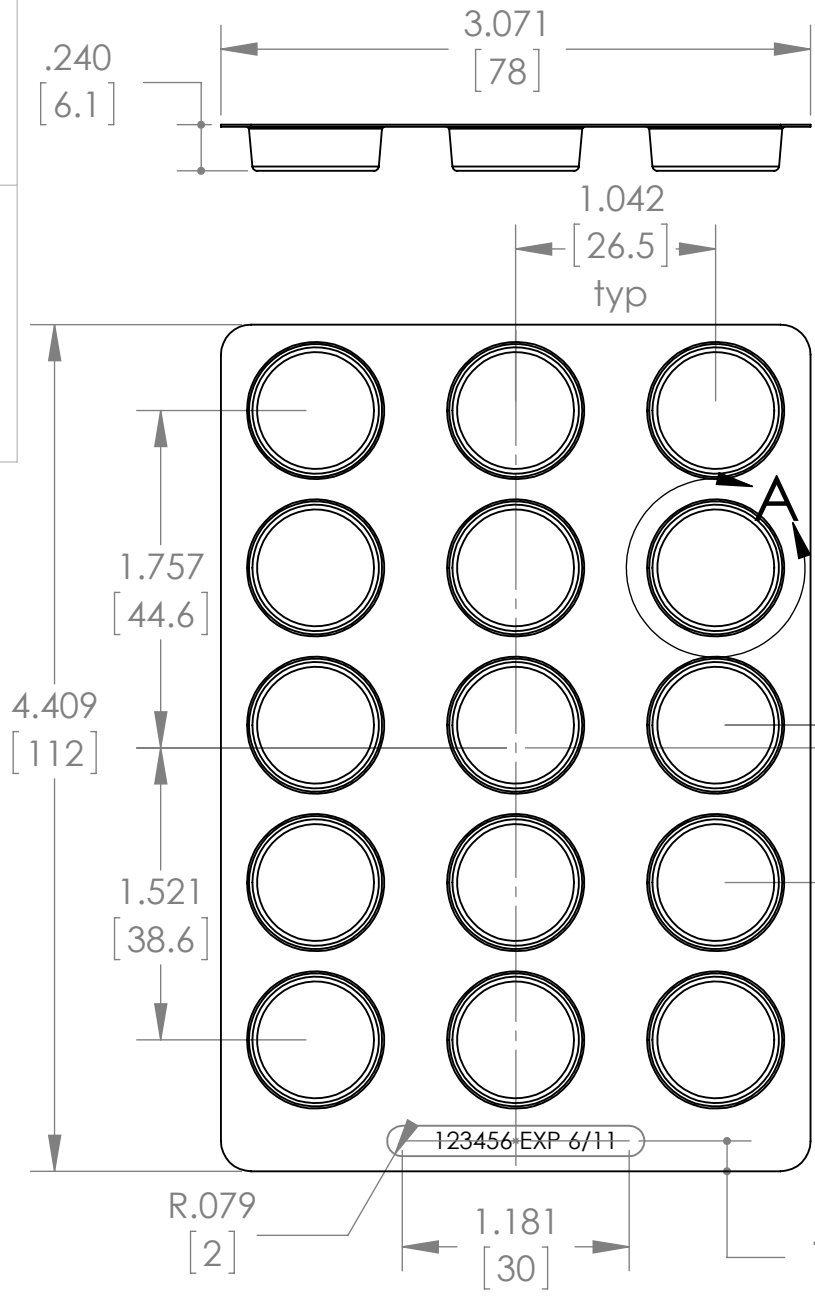
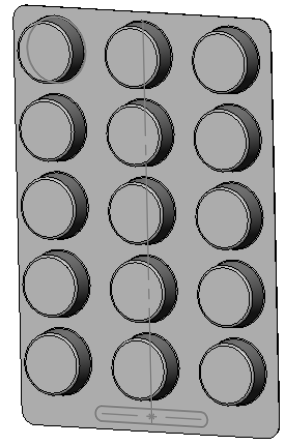
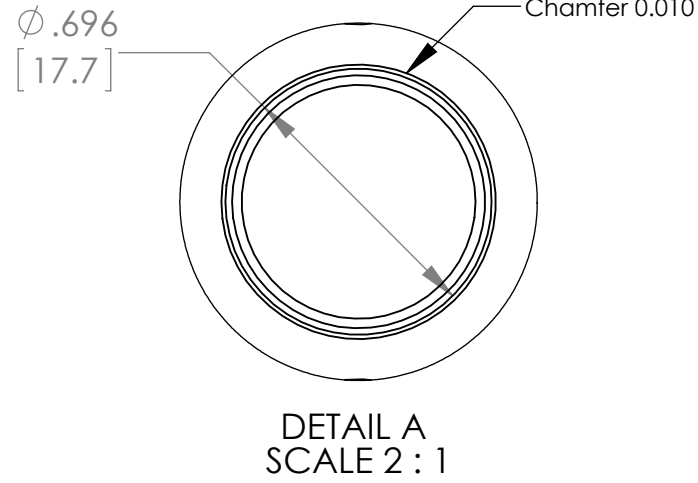
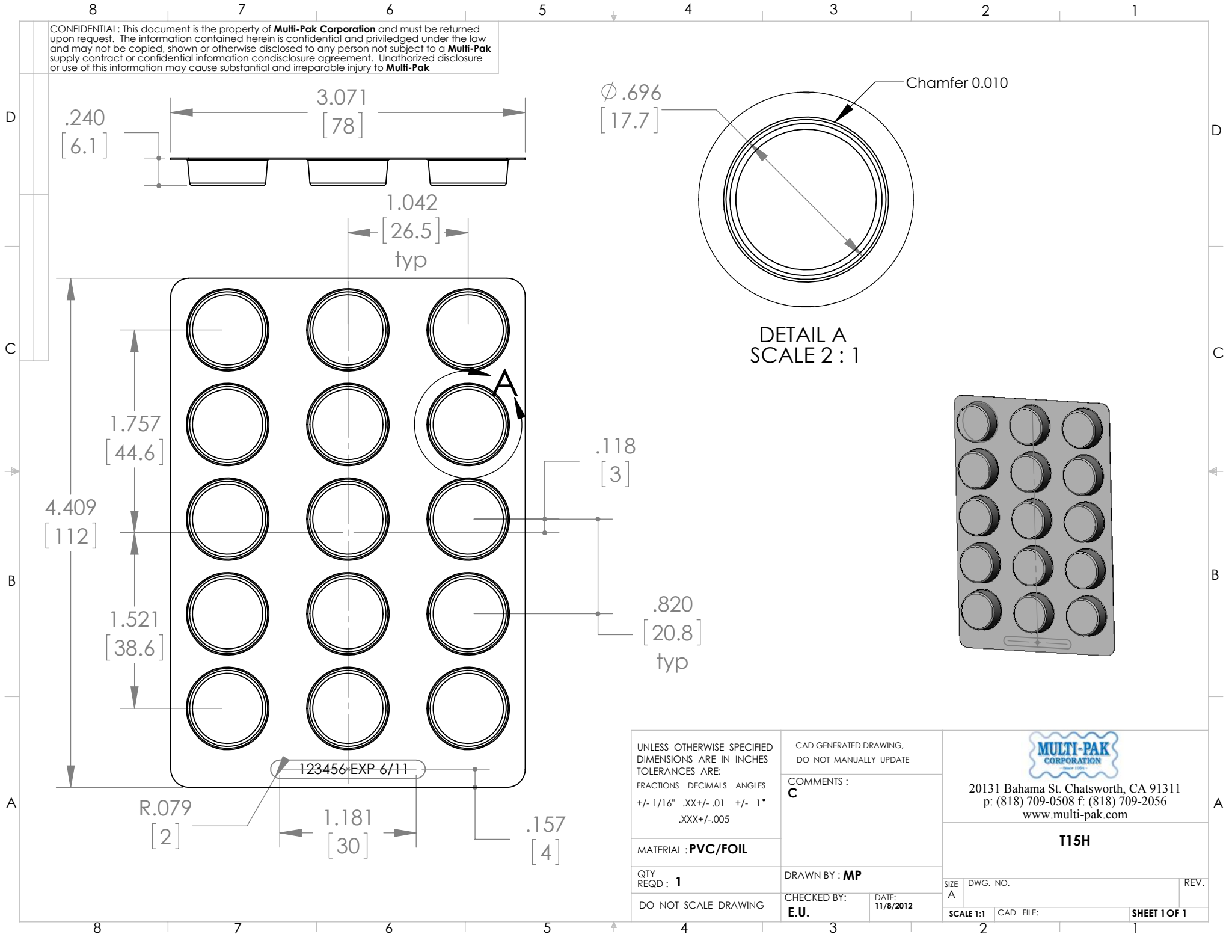



CONFIDENTIAL: This document is the property of Multi-Pak Corporation and must be returned upon request. The information contained herein is confidential and privileged under the law and may not be copied, shown or otherwise disclosed to any person not subject to a Multi-Pak supply contract or confidential information disclosure agreement. Unauthorized disclosure or use of this information may cause substantial and irreparable injury to Multi-Pak



UNLESS OTHERWISE SPECIFIED DIMENSIONS ARE IN INCHES TOLERANCES ARE: FRACTIONS DECIMALS ANGLES +/- 1/16" .XX+/- .01 +/- 1° .XXX+/- .005	CAD GENERATED DRAWING, DO NOT MANUALLY UPDATE	 20131 Bahama St. Chatsworth, CA 91311 p: (818) 709-0508 f: (818) 709-2056 www.multi-pak.com
	COMMENTS : <b>C</b>	
MATERIAL : <b>PVC/FOIL</b>		<b>T15H</b>
QTY REQD : <b>1</b>	DRAWN BY : <b>MP</b>	SIZE DWG. NO. REV.
DO NOT SCALE DRAWING	CHECKED BY : <b>E.U.</b>	A
	DATE: 11/8/2012	SCALE 1:1 CAD FILE: SHEET 1 OF 1